



PARTS CATALOGUE NEWS

Honda Motor Co., Ltd.
Service Division Service Technology

Printed in Japan

CODE NO.	18K81HI1
PARTS CATALOGUE NEWS	ACH110CBF/CBT/CSF ACH110CBFH ACH110CBTH ACH110CSFH
NEWS NO.	001

(IN-KD)K81

NEW MODEL ACH110CBFH-2IN TYPE COMPONENT PARTS-MARKETED

This Parts News ACH110CBFH-2IN type parts exclusively and respectively are based ACH110CBFH-IN type listed on the ACH110CBF/CBT/CSF Parts Catalogue.

All other parts not listed herein are the same as ACH110CBFH-IN type parts.

Model	Area code	Type	Applicable engine serial No.	Applicable frame serial No.	Applicable throttle body identification No.
ACH110CBFH	2IN	Indonesia	JFZ2E0000001~	MH1JFZ2**GK000001~	GQRGB A

BOOKNo. :18K81HI1

ACH110CBF (ACH110CBFH).....2IN

No.	MODEL		ACH110CBFH					
	COLOR		Black	Ross white	Applicable model		Applicable block No.	Ref. No.
	CODE		NH-1	NH-196	Initial applicable model	Final applicable model		
	Name of colored parts	Basic part No.	NH1	NH196				
1	COVER SET, FR.	64300-K81-N30	ZB	ZA			F-12	1
2	COVER SET, L. BODY	83605-K81-N30	ZB	ZA			F-15	4
3	COVER SET, R. BODY	83505-K81-N30	ZB	ZA			F-15	2
4	COVER SET, RR. HANDLE	53250-K81-N30	ZA	ZA			F-9-1	8
5	COVER, CENTER	80151-K81-N00	ZA	ZA			F-15	1
6	COVER, FR. HANDLE	53205-K81-N30	ZA	ZA			F-9-1	7
7	COVER, FR. LOWER	64308-K81-N00	ZA	ZA			F-12	3
8	COVER, FR. TOP	64305-K81-N00	ZA	ZA			F-12	2
9	COVER, INNER LOWER	81141-K81-N00	ZA	ZA			F-12	6
10	COVER, INNER UPPER	81131-K81-N00	ZA	ZA			F-12	4
11	COVER, L. BODY SIDE	83620-K81-N00	ZA	ZA			F-15	5
12	COVER, METER LOWER	53207-K81-N30	ZA	ZA			F-2-1	9
13	COVER, R. BODY SIDE	83520-K81-N00	ZA	ZA			F-15	3
14	COVER, RR. CENTER	83700-K81-N00	ZA	ZA			F-15	6
15	COVER, UNDER	64340-K81-N00	ZA	ZA			F-14	2
16	FENDER SET, FR.	61110-K81-N30	ZB	ZA			F-11	2
17	FENDER SET, RR.	80100-K81-N00	ZA	ZA			F-39	2
18	HOLDER, HANDLE PIPE UPPER	53131-K81-N30	ZA	ZA			F-9-1	5
19	HOOK, LUGGAGE	81132-GAH-000	YV	YV			F-12	5
20	LID, BATTERY	64460-K81-N00	ZA	ZA			F-14	3

ACH110CBF (ACH110CBFH).....2IN

No.	MODEL		ACH110CBFH					
	COLOR		Black	Ross white	Applicable model		Applicable block No.	Ref. No.
	CODE		NH-1	NH-196	Initial applicable model	Final applicable model		
	Name of colored parts	Basic part No.	NH1	NH196				
21	MARK	86531-KYZ-710	ZA	ZA			F-48-1	5
22	MARK	86534-K81-N00	ZB	ZA			F-48-1	6
23	MARK, HONDA	86101-K81-N30	ZB	ZA			F-48-1	1
24	MARK, HONDA	86102-K81-N00	ZE	ZB			F-48-1	2
25	MARK, HONDA	86103-K81-N00	ZA	ZA			F-48-1	3
26	PLUG, HOLE	90656-GCC-000	ZE	ZE			F-24	13
27	PROTECTOR, MUFFLER	18318-K81-N00	ZA	ZA			F-30	4
28	STEP, FLOOR	64310-K81-N00	ZA	ZA			F-14	1
29	STRIPE, L. BODY COVER	86832-K81-N30	ZB	ZA			F-48-1	10
30	STRIPE, L. FR. COVER	86642-K81-N30	ZB	ZA			F-48-1	8
31	STRIPE, R. BODY COVER	86831-K81-N30	ZB	ZA			F-48-1	9
32	STRIPE, R. FR. COVER	86641-K81-N30	ZB	ZA			F-48-1	7
33	WHEEL SUB ASSY., FR.	44650-K81-N00	ZA	ZA			F-20-40	6
34	WHEEL SUB ASSY., RR.	42650-K81-N00	ZA	ZA			F-22-30	2

FRT CORRECTED

*** OPERATIONS OTHER THAN REPLACING PARTS**

• Adjustment

	LON	DESCRIPTION	FRT
E	3143A0	ENGINE IDLE-ADJUSTMENT	0.1
	6143A1	SPARK PLUG-ADJUSTMENT/CLEANING	0.2
	1113A0	VALVE CLEARANCE-ADJUSTMENT NOTE: For 1 vehicle	0.3
F	6163A0	HEADLIGHT-AIMING	0.1
	7113A1	REAR BRAKE-ADJUSTMENT EXCLUDES: Rear brake shoe adjustment	0.1
	7113A1A	Adjust the equalizer add	0.3
	3113A3	THROTTLE OPERATION-ADJUSTMENT	0.1



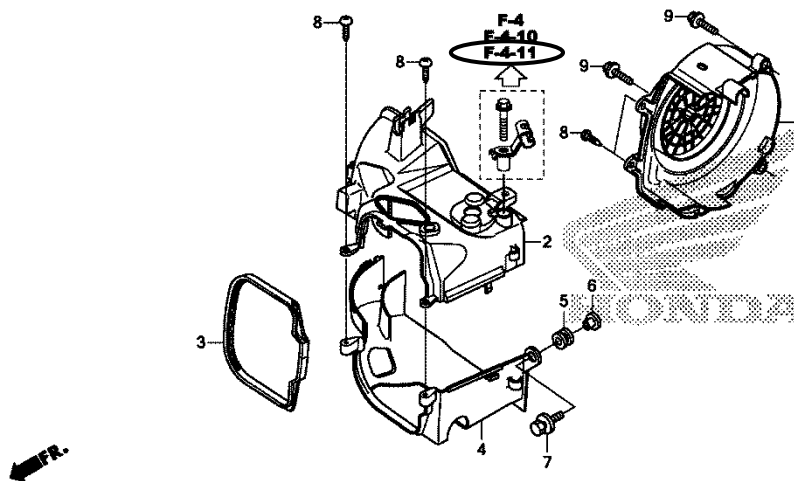
• Adjustment

	LON	DESCRIPTION	FRT
E	3143A0	ENGINE IDLE-ADJUSTMENT	0.1
	6143A1	SPARK PLUG-ADJUSTMENT/CLEANING	0.2
	1113A0	VALVE CLEARANCE-ADJUSTMENT NOTE: For 1 vehicle	0.3
F	6163A0	HEADLIGHT-AIMING	0.1
	7113A1	REAR BRAKE-ADJUSTMENT EXCLUDES: Rear brake shoe adjustment	0.1
	7113A1A	Adjust the equalizer add	0.3
	7113A1D	Adjust the equalizer add(A) NOTE: Street type	0.1
	3113A3	THROTTLE OPERATION-ADJUSTMENT	0.1

BOOKNo. :18K81HI1

Block No.	Ref. No.	Part No.	Description	Reqd. QTY			Base Part No.	Parts catalogue code
				ACH110	CBF	CSF		
				H	H	H		

E-1 SHROUD/FAN COVER



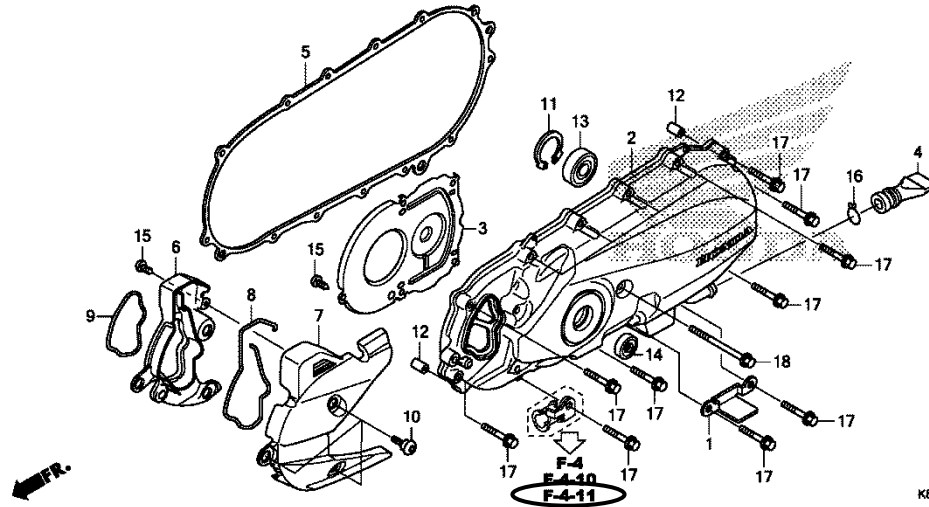
K818E0100B

PARTS CATALOGUE NEWS

BOOKNo. :18K81H11

Block No.	Ref. No.	Part No.	Description	Reqd. QTY			Base Part No.	Parts catalogue code
				ACH110	CBF	CSF		
				H	H	H		

E-13 LEFT CRANKCASE COVER



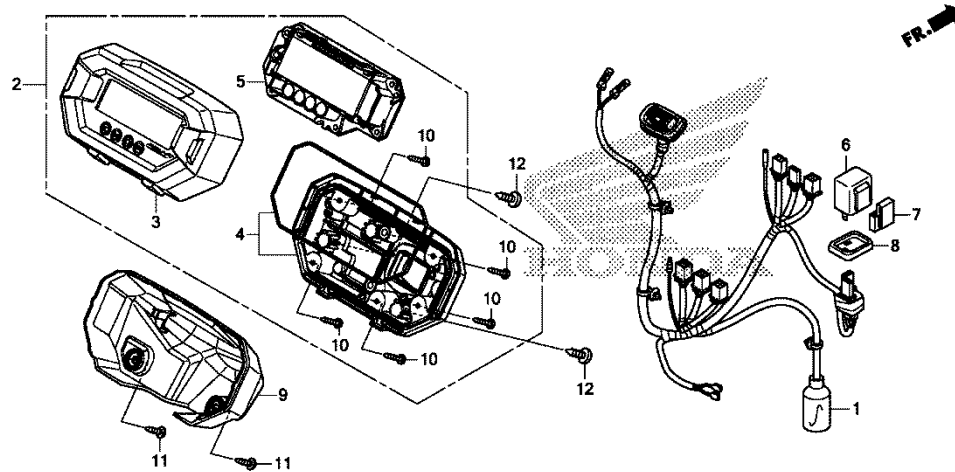
E-17	2	22350-K16-A41	PLATE COMP., DRIVE (EXEDY).....	1	-	-	22350-K81-N21	2IN
F-2	1		SUB HARNESS, SPEEDOMETER.....	0	-	-	32101-K81-N00	2IN
	2		METER ASSY., COMBINATION (KPH) .	0	-	-	37100-K81-N01	2IN
	3		SPEEDOMETER COMP.	0	-	-	37210-K81-N01	2IN
	4		LENS.	0	-	-	37211-K81-N01	2IN
	5		CASE ASSY., UNDER.	0	-	-	37212-K81-N01	2IN
	6		RELAY COMP., WINKER.	0	-	-	38301-KPH-881	2IN
			RELAY COMP., WINKER (DENSO)....	0	-	-	38301-KZR-C01	2IN
	7		SUSPENSION, WINKER RELAY.....	0	-	-	38306-K46-N01	2IN
			SUSPENSION, WINKER RELAY.....	0	-	-	38306-KJ6-740	2IN
	8		COVER, SEAL (MITSUBA).....	0	-	-	38307-GJ1-014	2IN
			COVER, SEAL (DENSO).....	0	-	-	38307-K16-901	2IN

BOOKNo. :18K81H11

Block No.	Ref. No.	Part No.	Description	Reqd. QTY			Base Part No.	Parts catalogue code
				ACH110 CBF H	CBT H	CSF H		
	9		SCREW, TAPPING, 5X16.....	0	-	-	93903-35320	2IN

F-2-1 METER (ACH110CBF-2IN)

Ref. No.	(Relative ref. Number)	Description	FRT
1	812106	SUB HARNESS, METER	0.8
2	8121A5	METER ASSY., COMBINATION (A) ..	0.2
3	8121B4	CASE, METER :UPPER	0.2
4	8121B5	CASE, METER :LOWER	0.2
5	8121H4	METER, COMBINATION (A)	0.3
6	6111N4	RELAY, WINKER (A)	0.3
9	4131Q2	COVER, METER :LOWER	0.1



K818F0201

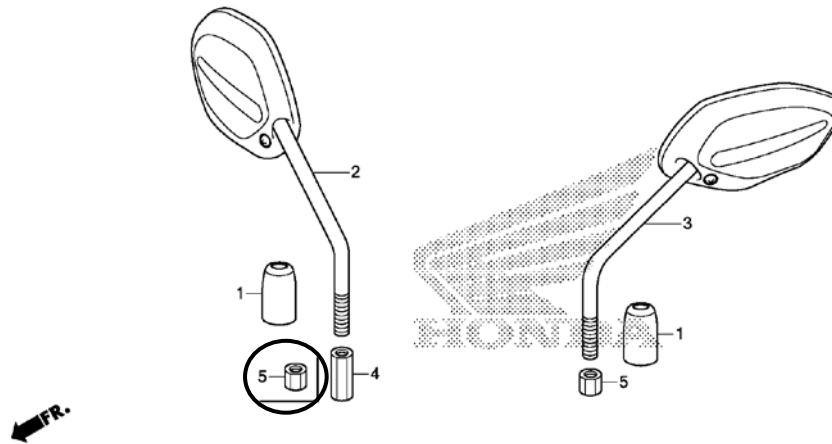
F-2-1	1	32101-K81-N30	SUB HARNESS, SPEEDOMETER.....	1	-	-	2IN
	2	37100-K81-N31	METER ASSY., COMBINATION (KPH) .	1	-	-	2IN
	3	37110-K81-N31	CASE ASSY., UPPER.....	1	-	-	2IN
	4	37120-K81-N31	CASE ASSY., UNDER.....	1	-	-	2IN
	5	37130-K81-N31	METER COMP., LCD.....	1	-	-	2IN
	6	38301-KPH-881	RELAY COMP., WINKER.....	1	-	-	2IN
		38301-KZR-C01	RELAY COMP., WINKER (DENSO)....	1	-	-	2IN
	7	38306-K46-N01	SUSPENSION, WINKER RELAY.....	1	-	-	2IN
		38306-KJ6-740	SUSPENSION, WINKER RELAY.....	1	-	-	2IN
	8	38307-GJ1-014	COVER, SEAL (MITSUBA).....	1	-	-	2IN
		38307-K16-901	COVER, SEAL (DENSO).....	1	-	-	2IN

PARTS CATALOGUE NEWS

BOOKNo. :18K81HI1

Block No.	Ref. No.	Part No.	Description	Reqd. QTY			Base Part No.	Parts catalogue code
				CBF H	ACH110 CBT H	CSF H		
	9	53207-K81-N30ZA	COVER, METER LOWER *TBLACK*.....BLACK	1	-	-	2IN	
	10	93903-22520	SCREW, TAPPING, 3X20.....	5	-	-	2IN	
	11	93903-24380	SCREW, TAPPING, 4X12.....	2	-	-	2IN	
	12	93913-25380	SCREW, TAPPING, 5X14(P0).....	3	-	-	2IN	

F-3 MIRROR



K818F0300B

F-3	2	88210-K81-N30	MIRROR COMP., R.....	1	-	-	88210-K61-900	2IN
	3	88220-K81-N30	MIRROR COMP., L.....	1	-	-	88220-K61-900	2IN
	4		NUT, LOCK.....	0	-	-	90314-KVB-900	2IN
	5	90314-KVR-600	NUT, LOCK.....	2	-	-		2IN
F-4-10	1		CABLE COMP. A, THROTTLE.....	0	-	-	17910-K81-N01	2IN
	2		CABLE COMP. B, THROTTLE.....	0	-	-	17920-K81-N01	2IN
	3		CLAMPER, THROTTLE CABLE.....	0	-	-	17925-K50-T00	2IN

PARTS CATALOGUE NEWS

BOOKNo. :18K81H11

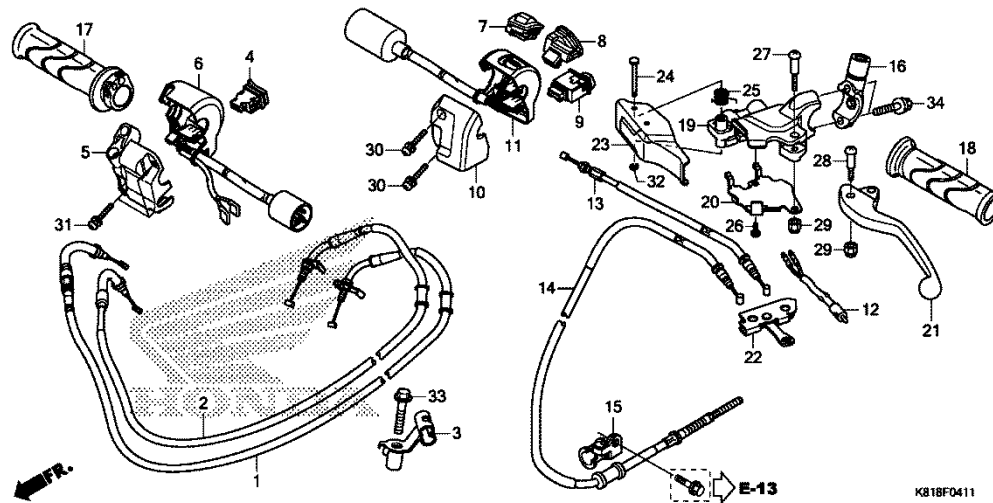
Block No.	Ref. No.	Part No.	Description	Reqd. QTY			Base Part No.	Parts catalogue code
				CBF H	ACH110 CBT H	CSF H		
	5		SWITCH UNIT, STARTER (TOYO).....	0	-	-	35160-K20-T21	2IN
	6		SWITCH UNIT, DIMMER.....	0	-	-	35170-KYZ-901	2IN
	7		SWITCH UNIT, HORN (TOYO).....	0	-	-	35180-K20-T21	2IN
	9		SWITCH UNIT, WINKER (TOYO).....	0	-	-	35200-K03-N31	2IN
	10		SWITCH ASSY., FR. STOP.....	0	-	-	35340-KPH-901	2IN
	11		CABLE COMP., FR. BRAKE CONNECTING	0	-	-	43440-K81-N01	2IN
	12		CABLE COMP., RR. BRAKE (HI-LEX)	0	-	-	43450-K46-N01	2IN
	13		CLAMPER, RR. BRAKE CABLE.....	0	-	-	43455-KZL-930	2IN
	15		GRIP COMP., THROTTLE.....	0	-	-	53140-K44-V00	2IN
	16		GRIP, L. HANDLE.....	0	-	-	53166-KWB-600	2IN
	17		HOUSING, UPPER THROTTLE.....	0	-	-	53167-K66-V00	2IN
	18		HOUSING, UNDER THROTTLE.....	0	-	-	53168-K66-V00	2IN
	19		BRACKET, L. BRAKE LEVER.....	0	-	-	53172-K25-910	2IN
	20		COVER, L. BRAKE LEVER BRACKET.	0	-	-	53173-GFM-900	2IN
	21		BAND, HANDLE BRACKET.....	0	-	-	53173-GFM-970	2IN
	22		BOOT, BRAKE LEVER ROD.....	0	-	-	53176-GBL-870	2IN
	23		LEVER, L. STEERING HANDLE.....	0	-	-	53178-K25-910	2IN
	24		EQUALIZER ASSY.....	0	-	-	53180-K25-910	2IN
	25		ARM COMP., RR. BRAKE LOCK.....	0	-	-	53185-K25-910	2IN
	26		COVER, RR. BRAKE LOCK LEVER...	0	-	-	53186-GBL-870	2IN
	27		SPRING, BRAKE LOCK ARM RETURN.	0	-	-	53188-KVB-920	2IN
	28		SCREW, HANDLE LEVER PIVOT.....	0	-	-	90115-KWN-900	2IN
	29		SCREW, PAN, 5X13.....	0	-	-	90118-GFM-900	2IN
	31		NUT, U, 5MM.....	0	-	-	90302-KVB-T01	2IN

BOOKNo. :18K81H11

Block No.	Ref. No.	Part No.	Description	Reqd. QTY			Base Part No.	Parts catalogue code
				ACH110 CBF H	CBT H	CSF H		
	32		BOLT-WASHER, 6X20.....	0	-	-	93401-06020-00	2IN
	33		SCREW, PAN, 5X12.....	0	-	-	93500-05012-1H	2IN
	34		SCREW, PAN, 5X20.....	0	-	-	93500-05020-0A	2IN
	35		BOLT, FLANGE, 6X30.....	0	-	-	95701-06030-00	2IN

F-4-11 HANDLE LEVER/SWITCH/CABLE (ACH110CBF-2IN)

Ref. No.	(Relative ref. Number) Description	FRT
1	(2)	
8111D4	CABLE, THROTTLE(A)	2.1
.NOTE: Same time for two units		
4	6151G1 SWITCH, STARTER(A)	0.9
6	8101K8 HOUSING, STARTER SWITCH	0.9
7	6151G2 SWITCH, DIMMER(A)	0.9
8	6151G3 SWITCH, HORN(A)	0.9
9	6151G5 SWITCH, WINKER(A)	0.9
11	8101K9 HOUSING, WINKER SWITCH	0.9
12	6151F9 SWITCH, REAR STOP(B) :LEVER SIDE	0.6
	6151G0 SWITCH, STOP(B) :BOTH	0.8
13	8111H3 CABLE, FRONT BRAKE CONNECTING (A)	0.6
14	8111G4 CABLE, REAR BRAKE(B)	2.0
17	8101J5 GRIP, THROTTLE(A)	0.2
18	8101C0 GRIP, HANDLE :LEFT	0.1
19	8101H7 BRACKET, HANDLE LEVER(A) :LEFT	0.5
21	8101H6 LEVER, HANDLE(A) :LEFT	0.1
	8101H8 LEVER, HANDLE(A) :BOTH	0.2
22	8101P1 EQUALIZER, BRAKE CABLE(A)	0.5
23	8101N6 LEVER, REAR BRAKE LOCK(A)	0.1



K818F0411

F-4-11	1	17910-K81-N31	CABLE COMP. A, THROTTLE (HI-LEX)	1	-	-	2IN
	2	17920-K81-N31	CABLE COMP. B, THROTTLE (HI-LEX)	1	-	-	2IN
	3	17925-K50-T00	CLAMPER, THROTTLE CABLE.....	1	-	-	2IN
	4	35160-K20-T21	SWITCH UNIT, STARTER(TOYO)....	1	-	-	2IN
	5	35164-K81-N31	HOUSING, RR. STARTER SWITCH... (FR.)	1	-	-	2IN

PARTS CATALOGUE NEWS

BOOKNo. :18K81HI1

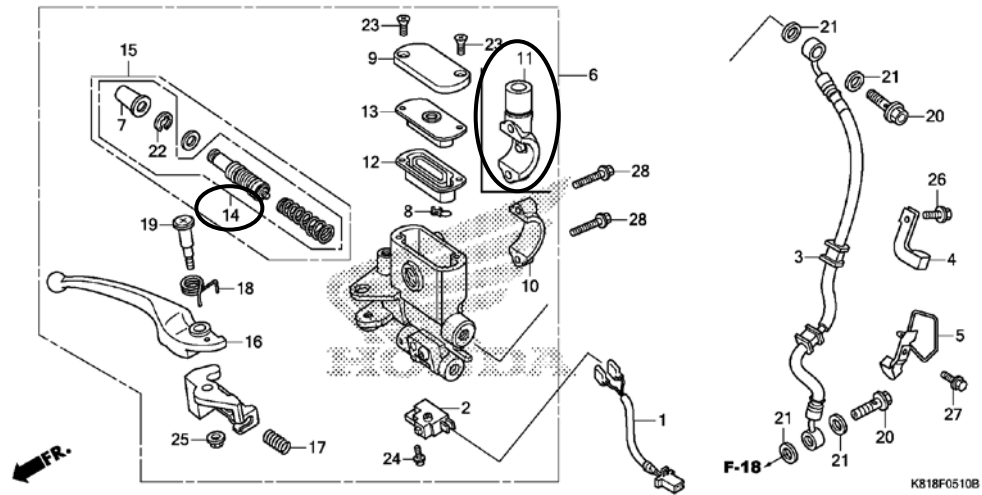
Block No.	Ref. No.	Part No.	Description	Reqd. QTY			Base Part No.	Parts catalogue code
				CBF H	ACH110 CBT H	CSF H		
	6	35165-K81-N31	HOUSING COMP., STARTER SWITCH. (RR.)	1	-	-	2IN	
	7	35170-KYZ-901	SWITCH UNIT, DIMMER.....	1	-	-	2IN	
	8	35180-K20-T21	SWITCH UNIT, HORN(TOYO).....	1	-	-	2IN	
	9	35200-K03-N31	SWITCH UNIT, WINKER(TOYO).....	1	-	-	2IN	
	10	35202-GGZ-J02	HOUSING, WINKER SWITCH RR..... (FR.)	1	-	-	2IN	
	11	35205-K81-N31	HOUSING COMP., WINKER SWITCH.. (RR.)	1	-	-	2IN	
	12	35340-K81-N31	SWITCH ASSY., FR. STOP.....	1	-	-	2IN	
	13	43440-K81-N30	CABLE COMP., FR. BRAKE CONNECTING	1	-	-	2IN	
	14	43450-K81-N30	CABLE COMP., RR. BRAKE (HI-LEX)	1	-	-	2IN	
	15	43455-KZL-930	CLAMPER, RR. BRAKE CABLE.....	1	-	-	2IN	
	16	45517-K81-N30	HOLDER, MIRROR.....	1	-	-	2IN	
	17	53140-K44-V00	GRIP COMP., THROTTLE.....	1	-	-	2IN	
	18	53166-KWB-600	GRIP, L. HANDLE.....	1	-	-	2IN	
	19	53172-K81-N30	BRACKET, L. BRAKE LEVER.....	1	-	-	2IN	
	20	53173-K81-N30	COVER, L. BRAKE LEVER BRACKET.	1	-	-	2IN	
	21	53178-K81-N30	LEVER, L. STEERING HANDLE.....	1	-	-	2IN	
	22	53184-K81-N30	EQUALIZER COMP.....	1	-	-	2IN	
	23	53185-K81-N30	LEVER COMP., BRAKE LOCK.....	1	-	-	2IN	
	24	53186-K81-N30	PIN, BRAKE LOCK LEVER.....	1	-	-	2IN	
	25	53188-K81-N30	SPRING, BRAKE LOCK ARM RETURN.	1	-	-	2IN	
	26	90104-K81-N30	SCREW, PAN, 5X8.....	1	-	-	2IN	
	27	90115-K81-N30	SCREW, HANDLE LEVER PIVOT.....	1	-	-	2IN	

BOOKNo. :18K81H11

Block No.	Ref. No.	Part No.	Description	Reqd. QTY			Base Part No.	Parts catalogue code
				ACH110 CBF H	CBT H	CSF H		
	28	90116-K81-N30	SCREW, HANDLE LEVER PIVOT.....	1	-	-	2IN	
	29	90302-KVB-T01	NUT, U, 5MM.....	2	-	-	2IN	
	30	93892-05020-07	SCREW-WASHER, 5X20.....	2	-	-	2IN	
	31	93892-05025-07	SCREW-WASHER, 5X25.....	3	-	-	2IN	
	32	94540-03010	E-RING, 3MM.....	1	-	-	2IN	
	33	95701-06030-00	BOLT, FLANGE, 6X30.....	1	-	-	2IN	
	34	96001-06022-07	BOLT, FLANGE, 6X22.....	2	-	-	2IN	

F-5-10 FRONT BRAKE MASTER CYLINDER (ACH110CBF/CBT)

Ref. No.	(Relative ref. Number)	Description	FRT
2	6151F8	SWITCH, FRONT STOP(B) NOTE: Street type	0.4
	6151G0	SWITCH, STOP(B) :BOTH NOTE: Street type	0.8
3	7121N4	HOSE, FRONT BRAKE(A) INCLUDES: Bleed brakes . NOTE: Street type	1.0
6	7121X6	CYLINDER, FRONT BRAKE MASTER (B) INCLUDES: Bleed brakes . NOTE: Street type	0.6
15	7121X7	PISTON SET, FRONT BRAKE MASTER (B) INCLUDES: Bleed brakes . NOTE: Street type	0.6
16	8101H5	LEVER, HANDLE (A) :RIGHT NOTE: Street type	0.1
	8101H8	LEVER, HANDLE (A) :BOTH NOTE: Street type	0.2



F-5-10	1		SUB CORD, FR. STOP SWITCH.....	0	-	-	32101-KVB-N60	2IN
	3	45126-K81-N31	HOSE COMP., FR. BRAKE (NICHIRIN)	1	-	-	45126-K25-901	2IN
	6	45500-K81-N31	CYLINDER ASSY., FR. BRAKE MASTER (NISSIN)	1	-	-	45500-K25-911	2IN

PARTS CATALOGUE NEWS

BOOKNo. :18K81HI1

Block No.	Ref. No.	Part No.	Description	Reqd. QTY			Base Part No.	Parts catalogue code
				CBF H	ACH10 CBT H	CSF H		
	10		HOLDER, MASTER CYLINDER.....	0	-	-	45517-GWO-751	2IN
	11	45517-K81-N30	HOLDER, MIRROR.....	1	-	-		2IN
	14	45530-K03-M61	CYLINDER SET, MASTER(NISSIN)..	1	-	-		2IN
	15		CYLINDER SET, MASTER.....	0	-	-	45530-KVY-911	2IN
	16	53175-K81-N31	LEVER, R. STEERING HANDLE.....	1	-	-	53175-KVB-921	2IN
	19	90114-K44-V01	BOLT, HANDLE LEVER.....	1	-	-	90114-KVG-911	2IN
	22	90651-K03-M61	CIRCLIP, INTERNAL, 18.8.....	1	-	-	90651-MA5-671	2IN
	28	96001-06022-07	BOLT, FLANGE, 6X22.....	2	-	-	96001-06022-00	2IN
F-9	1		PIPE COMP., HANDLE.....	0	-	-	53100-K81-N00	2IN
	2		WEIGHT A, HANDLE.....	0	-	-	53102-KVB-S00	2IN
	3		COVER, RR. HANDLE *TBLACK*..... BLACK	0	-	-	53206-K81-N00ZA	2IN
	4		COVER SET, FR. HANDLE(WL) *TYPE2*.....	0	-	-	53210-K81-N00ZA	2IN
			COVER SET, FR. HANDLE(WL) *TYPE1*.....	0	-	-	53210-K81-N00ZB	2IN
	5		COVER SET, SPEEDOMETER(WL) *NH1*..... BLACK	0	-	-	53280-K81-N00ZA	2IN
	6		EMBLEM, PRODUCT (MARUI).....	0	-	-	86150-KPG-901	2IN
			EMBLEM, PRODUCT (UEHARA).....	0	-	-	86150-KPG-902	2IN
			EMBLEM, PRODUCT (SHINKO).....	0	-	-	86150-KTJ-C60	2IN
	7		BOLT, FLANGE, 10X48.....	0	-	-	90102-KZL-930	2IN
	8		SCREW, OVAL, 6X45.....	0	-	-	90191-K47-N41	2IN
			SCREW, OVAL, 6X45.....	0	-	-	90191-KWB-600	2IN
	9		NUT, SPRING, 4MM.....	0	-	-	90302-KWW-A00	2IN
	10		NUT, U, 10MM.....	0	-	-	90304-KGH-901	2IN

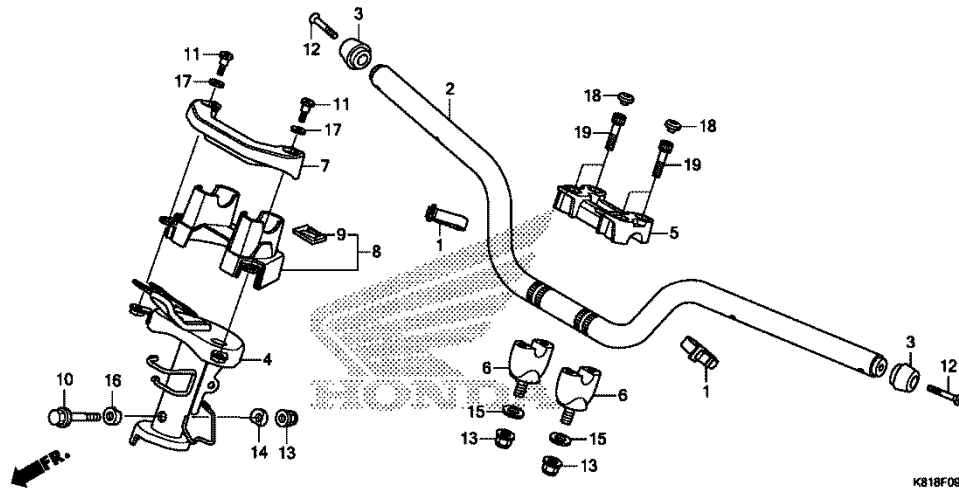
PARTS CATALOGUE NEWS

BOOKNo. :18K81H11

Block No.	Ref. No.	Part No.	Description	Reqd. QTY			Base Part No.	Parts catalogue code
				ACH110 CBF H	CBT H	CSF H		
	11		COLLAR A, HANDLE SETTING.....	0	-	-	90501-KPH-880	2IN
	12		COLLAR B, HANDLE SETTING.....	0	-	-	90505-KPH-880	2IN
	13		CLIP, SNAP FITTING (PO).....	0	-	-	90666-K59-A11	2IN
			CLIP, SNAP FITTING (PO) (NATURAL)	0	-	-	90666-SDA-A01	2IN
	14		SCREW, TAPPING, 4X12.....	0	-	-	93903-34380	2IN
	15		SCREW, TAPPING, 5X16.....	0	-	-	93903-35380	2IN
	16		SPONGE, SPEEDOMETER COVER.....	0	-	-	64455-K81-N00	2IN

F-9-1 HANDLE PIPE/HANDLE COVER (ACH110CBF-2IN)

Ref. No.	LON	(Relative ref. Number) Description	FRT
2	8101H9	PIPE, STEERING HANDLE(A)	0.6
4	5101C8	POST, HANDLE	1.0
6	8101B9	HOLDER, HANDLE :LOWER	1.0
.NOTE: Same time for two units			
7	4131AP	COVER, HANDLE (A) :FRONT	0.5
8	4131AQ	COVER, HANDLE (A) :REAR	0.5
	4131AR	COVER, HANDLE (A) :BOTH	0.5



K818F0901

F-9-1	1	32161-404-000	BAND B1, WIRE.....	2	-	-	2IN
	2	53100-K81-N30	PIPE COMP., HANDLE.....	1	-	-	2IN
	3	53102-KVB-S00	WEIGHT A, HANDLE.....	2	-	-	2IN
	4	53110-K81-N30	POST COMP., HANDLE.....	1	-	-	2IN

PARTS CATALOGUE NEWS

BOOKNo. :18K81HI1

Block No.	Ref. No.	Part No.	Description	Reqd. QTY			Base Part No.	Parts catalogue code
				CBF H	ACH110 CBT H	CSF H		
	5	53131-K81-N30ZA	HOLDER, HANDLE PIPE UPPER *NH303M* MAT AXIS GRAY METALLIC	1	-	-	2IN	
	6	53132-K04-930	HOLDER, HANDLE UNDER.....	2	-	-	2IN	
	7	53205-K81-N30ZA	COVER, FR. HANDLE *NH303M* MAT AXIS GRAY METALLIC	1	-	-	2IN	
	8	53250-K81-N30ZA	COVER SET, RR. HANDLE *NH303M* MAT AXIS GRAY METALLIC	1	-	-	2IN	
	9	86150-KPG-901	EMBLEM, PRODUCT (MARUI).....	1	-	-	2IN	
		86150-KPG-902	EMBLEM, PRODUCT (UEHARA).....	1	-	-	2IN	
		86150-KTJ-C60	EMBLEM, PRODUCT (SHINKO).....	1	-	-	2IN	
	10	90102-KZL-930	BOLT, FLANGE, 10X48.....	1	-	-	2IN	
	11	90107-K04-930	SCREW, PAN, 6X17.....	2	-	-	2IN	
	12	90191-K47-N41	SCREW, OVAL, 6X45.....	2	-	-	2IN	
		90191-KWB-600	SCREW, OVAL, 6X45.....	2	-	-	2IN	
	13	90304-KGH-901	NUT, U, 10MM.....	3	-	-	2IN	
	14	90501-KPH-880	COLLAR A, HANDLE SETTING.....	1	-	-	2IN	
	15	90502-KWN-670	WASHER, 10MM.....	2	-	-	2IN	
	16	90505-KPH-880	COLLAR B, HANDLE SETTING.....	1	-	-	2IN	
	17	90507-921-000	WASHER, NYLON, 8MM.....	2	-	-	2IN	
	18	91456-371-770	CAP, SOCKET BOLT.....	4	-	-	2IN	
	19	96600-08032-00	BOLT, SOCKET, 8X32.....	4	-	-	2IN	

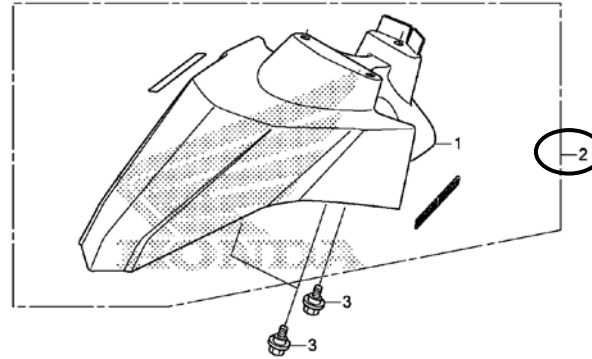
PARTS CATALOGUE NEWS

BOOKNo. :18K81HI1

Block No.	Ref. No.	Part No.	Description	Reqd. QTY			Base Part No.	Parts catalogue code
				ACH10 CBF H	CBT H	CSF H		

F-11 FRONT FENDER

Ref. No.	(Relative ref. Number)	Description	FRT
1	(2)		
4131B7		FENDER, FRONT	0.1



K818F1100B

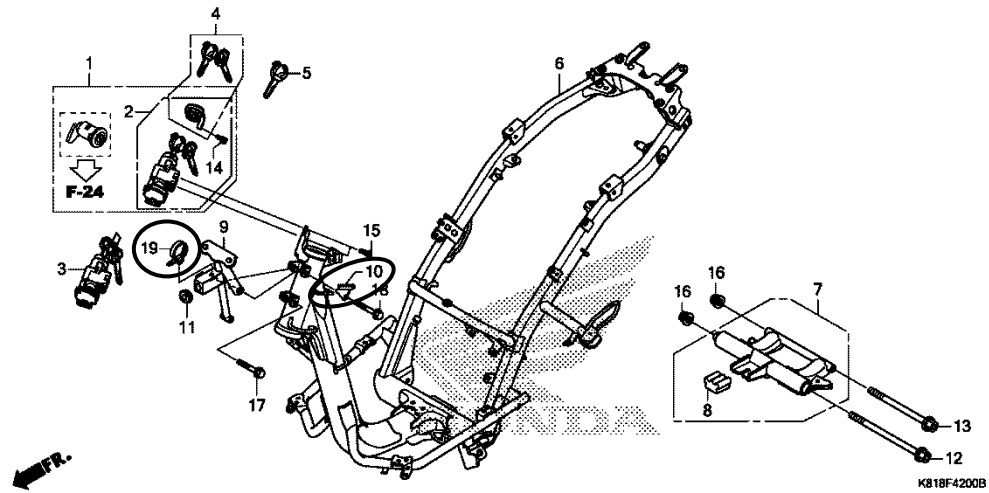
F-11	1		FENDER, FR. *NH1*..... BLACK	0	-	-	61100-K81-N00ZA	2IN
			FENDER, FR. *NH196*..... ROSS WHITE	0	-	-	61100-K81-N00ZC	2IN
	2	61110-K81-N30ZA	FENDER SET, FR. (WL) *TYPE2*.....	1	-	-		2IN
		61110-K81-N30ZB	FENDER SET, FR. (WL) *TYPE1*.....	1	-	-		2IN
F-12	1	64300-K81-N30ZA	COVER SET, FR. (WL) *TYPE2*.....	1	-	-	64300-K81-N00ZE	2IN
		64300-K81-N30ZB	COVER SET, FR. (WL) *TYPE1*.....	1	-	-	64300-K81-N00ZF	2IN
			COVER SET, FR. (WL) *TYPE3*.....	0	-	-	64300-K81-N00ZD	2IN
F-15	2	83505-K81-N30ZA	COVER SET, R. BODY (WL) *TYPE2*.....	1	-	-	83505-K81-N00ZE	2IN

PARTS CATALOGUE NEWS

BOOKNo. :18K81HI1

Block No.	Ref. No.	Part No.	Description	Reqd. QTY			Base Part No.	Parts catalogue code
				CBF H	ACH110 CBT H	CSF H		
		83505-K81-N30ZB	COVER SET, R. BODY (WL) *TYPE1*.....	1	-	-	83505-K81-N00ZF	2IN
			COVER SET, R. BODY (WL) *TYPE3*.....	0	-	-	83505-K81-N00ZD	2IN
	4	83605-K81-N30ZA	COVER SET, L. BODY (WL) *TYPE2*.....	1	-	-	83605-K81-N00ZE	2IN
		83605-K81-N30ZB	COVER SET, L. BODY (WL) *TYPE1*.....	1	-	-	83605-K81-N00ZF	2IN
			COVER SET, L. BODY (WL) *TYPE3*.....	0	-	-	83605-K81-N00ZD	2IN
F-20-40	8	45351-K81-N31	DISK, FR. BRAKE (YUTAKA).....	1	-	-	45351-KVY-961	2IN
F-40	1	30400-K81-N02	CONTROL UNIT, ENGINE.....	1	-	-	30400-K81-N01	2IN
	3		BATTERY (NTZ4V) (NIPRESS).....	0	-	-	31500-K46-N21	2IN
F-41	4	32100-K81-N10	HARNESS, WIRE.....	1	-	-	32100-K81-N00	2IN

F-42 FRAME BODY

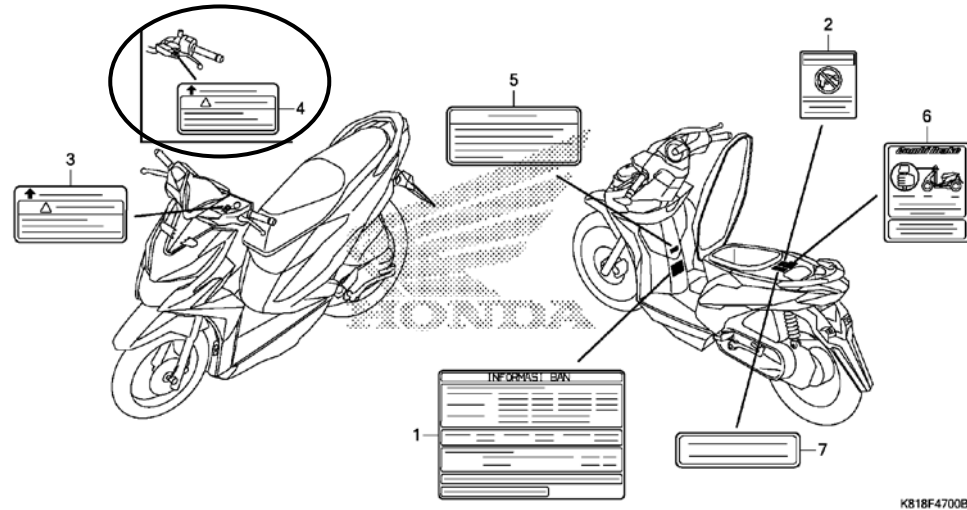


PARTS CATALOGUE NEWS

BOOKNo. :18K81HI1

Block No.	Ref. No.	Part No.	Description	Reqd. QTY			Base Part No.	Parts catalogue code
				CBF H	ACH110 CBT H	CSF H		
F-42	10	64224-K81-N30	BRACKET, FR. BRAKE HOSE.....	1	-	-	2IN	
	19	91540-KPH-902	CLIP, HARNESS BAND.....	1	-	-	2IN	

F-47 CAUTION LABEL



K818F4700B

F-47	3		LABEL, CBS CAUTION.....	0	-	-	87514-K25-600	2IN
	4	87514-K81-N30	LABEL, CBS CAUTION.....	1	-	-		2IN
F-48	1		MARK, HONDA(60MM) *TYPE1*.....	0	-	-	86101-K81-N00ZA	2IN
	2		MARK, HONDA(100MM) *TYPE3*.....	0	-	-	86102-K81-N00ZC	2IN
			MARK, HONDA(100MM) *TYPE2*.....	0	-	-	86102-K81-N00ZD	2IN
			MARK, HONDA(100MM) *TYPE1*.....	0	-	-	86102-K81-N00ZE	2IN
	3		MARK, ENGINE.....	0	-	-	86170-KZR-600	2IN

PARTS CATALOGUE NEWS

BOOKNo. :18K81HI1

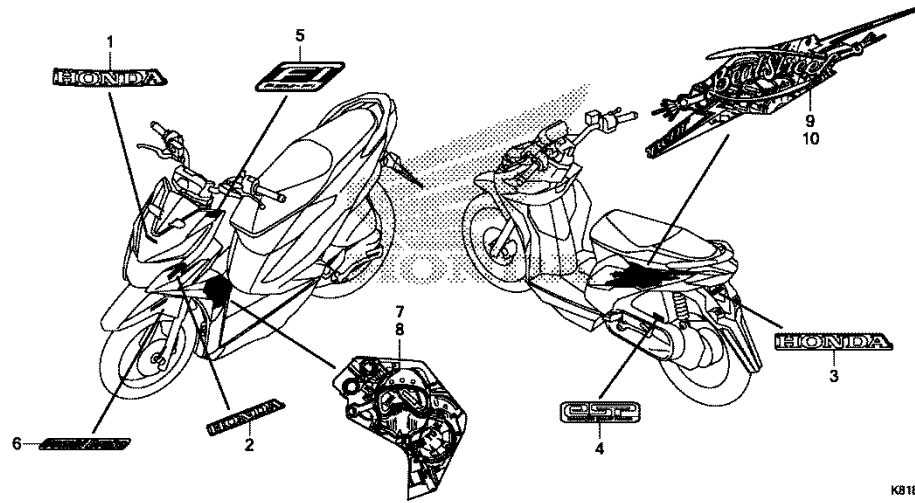
Block No.	Ref. No.	Part No.	Description	Reqd. QTY			Base Part No.	Parts catalogue code
				CBF H	ACH110 CBT H	CSF H		
	4		MARK (F1) *TYPE1*.....	0	-	-	86531-KYZ-710ZA	2IN
	7		MARK (COMBI BRAKE) *TYPE2*.....	0	-	-	86534-K81-N00ZA	2IN
			MARK (COMBI BRAKE) *TYPE1*.....	0	-	-	86534-K81-N00ZB	2IN
	8		STRIPE, R. FR. COVER *TYPE3*.....	0	-	-	86641-K81-N00ZD	2IN
			STRIPE, R. FR. COVER *TYPE2*.....	0	-	-	86641-K81-N00ZE	2IN
			STRIPE, R. FR. COVER *TYPE1*.....	0	-	-	86641-K81-N00ZF	2IN
	10		STRIPE, L. FR. COVER *TYPE3*.....	0	-	-	86642-K81-N00ZD	2IN
			STRIPE, L. FR. COVER *TYPE2*.....	0	-	-	86642-K81-N00ZE	2IN
			STRIPE, L. FR. COVER *TYPE1*.....	0	-	-	86642-K81-N00ZF	2IN
	13		STRIPE, R. BODY COVER *TYPE3*.....	0	-	-	86831-K81-N00ZD	2IN
			STRIPE, R. BODY COVER *TYPE2*.....	0	-	-	86831-K81-N00ZE	2IN
			STRIPE, R. BODY COVER *TYPE1*.....	0	-	-	86831-K81-N00ZF	2IN
	15		STRIPE, L. BODY COVER *TYPE3*.....	0	-	-	86832-K81-N00ZD	2IN
			STRIPE, L. BODY COVER *TYPE2*.....	0	-	-	86832-K81-N00ZE	2IN
			STRIPE, L. BODY COVER *TYPE1*.....	0	-	-	86832-K81-N00ZF	2IN
	19		MARK, HONDA (60MM) *TYPE1*.....	0	-	-	86103-K81-N00ZA	2IN

PARTS CATALOGUE NEWS

BOOKNo. :18K81HI1

Block No.	Ref. No.	Part No.	Description	Reqd. QTY			Base Part No.	Parts catalogue code
				ACH110 CBF H	CBT H	CSF H		

F-48-1 MARK/STRIPE (ACH110CBF-2IN)



K818F4801

F-48-1	1	86101-K81-N30ZA	MARK, HONDA (65MM) *TYPE2*.....	1	-	-	2IN
		86101-K81-N30ZB	MARK, HONDA (65MM) *TYPE1*.....	1	-	-	2IN
	2	86102-K81-N00ZB	MARK, HONDA (100MM) *TYPE4*.....	2	-	-	2IN
		86102-K81-N00ZE	MARK, HONDA (100MM) *TYPE1*.....	2	-	-	2IN
	3	86103-K81-N00ZA	MARK, HONDA (60MM) *TYPE1*.....	1	-	-	2IN
	4	86170-KZR-600	MARK, ENGINE.....	1	-	-	2IN
	5	86531-KYZ-710ZA	MARK (F1) *TYPE1*.....	1	-	-	2IN
	6	86534-K81-N00ZA	MARK (COMBI BRAKE) *TYPE2*.....	2	-	-	2IN

PARTS CATALOGUE NEWS

BOOKNo. :18K81HI1

Block No.	Ref. No.	Part No.	Description	Reqd. QTY			Base Part No.	Parts catalogue code
				CBF H	ACH10 CBT H	CSF H		
		86534-K81-N00ZB	MARK (COMBI BRAKE) *TYPE1*.....	2	-	-		2IN
	7	86641-K81-N30ZA	STRIPE, R. FR. COVER *TYPE2*.....	1	-	-		2IN
		86641-K81-N30ZB	STRIPE, R. FR. COVER *TYPE1*.....	1	-	-		2IN
	8	86642-K81-N30ZA	STRIPE, L. FR. COVER *TYPE2*.....	1	-	-		2IN
		86642-K81-N30ZB	STRIPE, L. FR. COVER *TYPE1*.....	1	-	-		2IN
	9	86831-K81-N30ZA	STRIPE, R. BODY COVER *TYPE2*.....	1	-	-		2IN
		86831-K81-N30ZB	STRIPE, R. BODY COVER *TYPE1*.....	1	-	-		2IN
	10	86832-K81-N30ZA	STRIPE, L. BODY COVER *TYPE2*.....	1	-	-		2IN
		86832-K81-N30ZB	STRIPE, L. BODY COVER *TYPE1*.....	1	-	-		2IN